





gala

Reference G3988100
Description Basin mixer with high spout
Collection GADEA



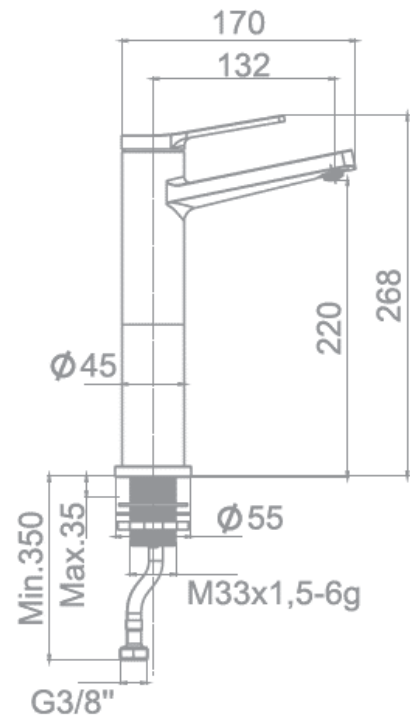
TECHNICAL SPECIFICATIONS

-  Flow restrictor to 5 l/min included
-  Produced with recycled materials
-  The alloy used to produce it is included in the "European Positive List" (no migration of hazardous materials to water)
-  G-Last chrome technology: high resistance against scratches

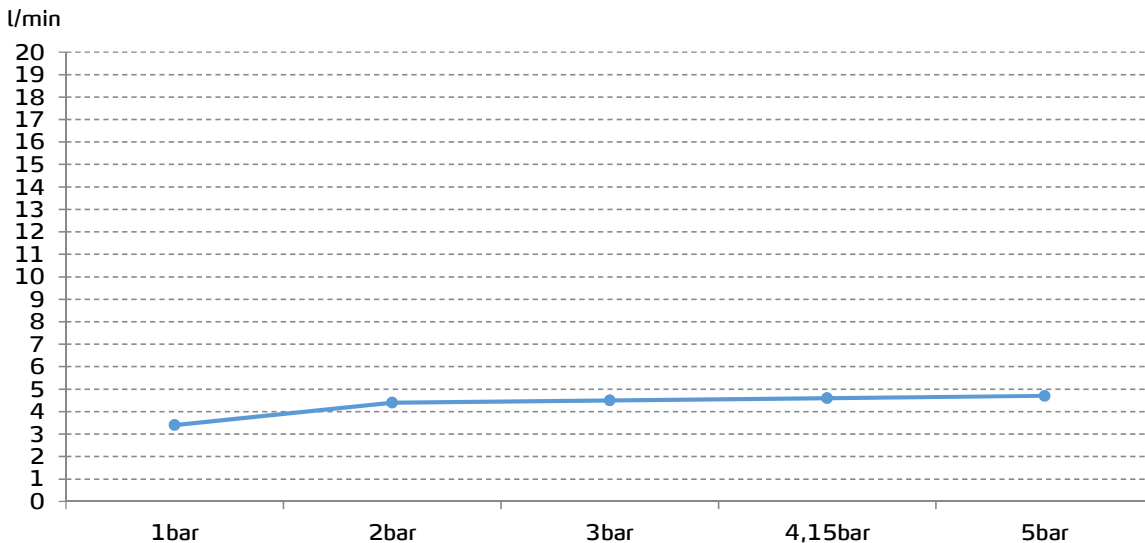
Ceramic discs cartridge $\varnothing 35$ mm

3/8" flexible connection hoses included

Installation with up-down valve



FLOW RATE



Data measured in maximum flow position with mixed water