

gala

Reference G3931100

Description Basin mixer

Collection BALANCE



TECHNICAL SPECIFICATIONS



Single lever mixer with cold start



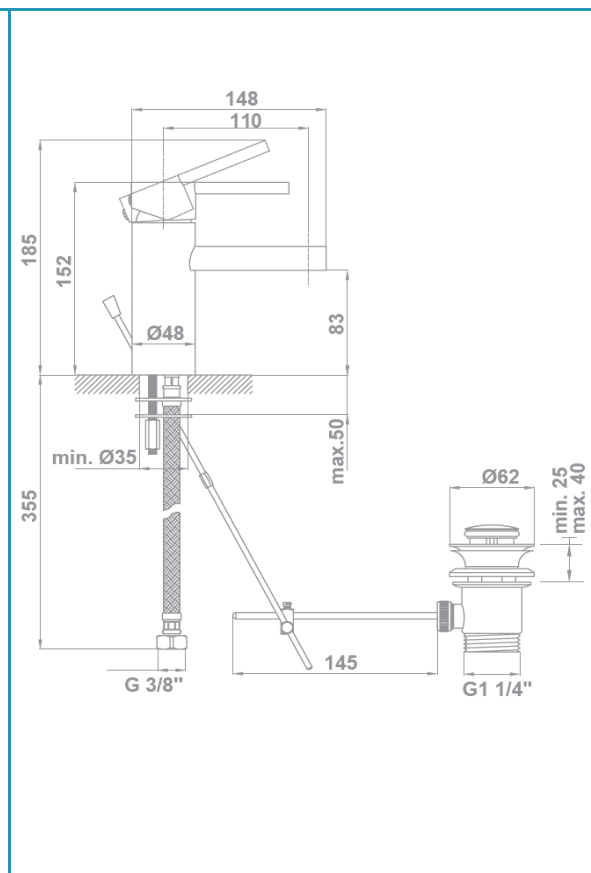
Eco-friendly cartridge with two-step opening

Ceramic discs cartridge $\varnothing 40$ mm

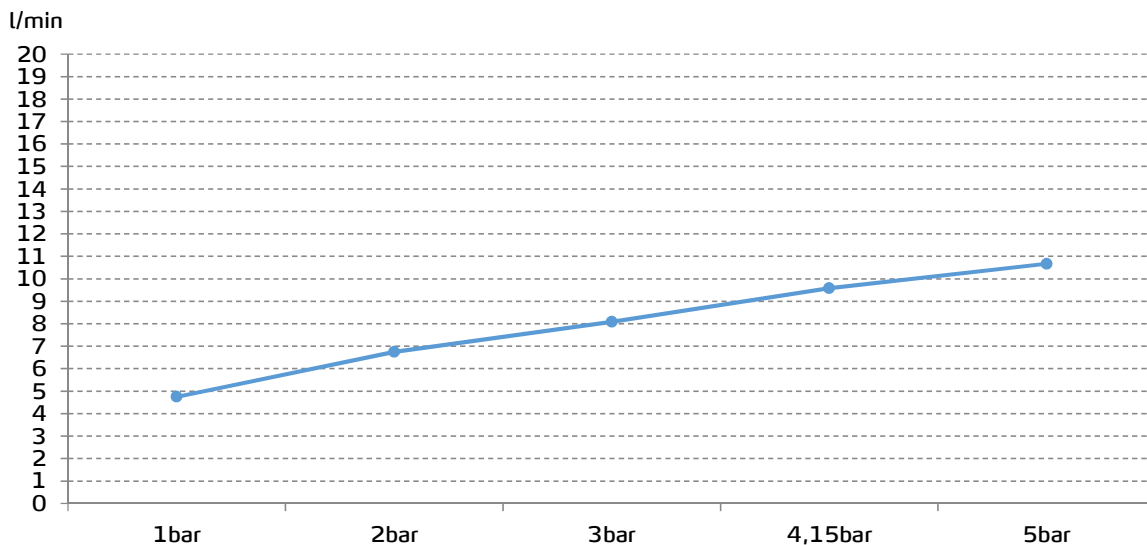
Anti-vandal aerator with limescale protection and integrated filter against particles

3/8" flexible connection hoses included

Automatic waste included



FLOW RATE



Data measured in maximum flow position with mixed water