

RainDrain Flex
Finish set shower drain 800 cuttable
 Finish: **Polished Gold Optic** Article Number: **56044990**



Description

product features

- consists of: design grate with removable cover, Dryphon
- mounting type: two-sided
- can be shortened on site
- easy to clean surface
- height adjustable by 10 mm
- up to 60 l/min drainage capacity
- where to use: new construction, renovation
- grate removal tool allows easy removal of the finish set
- with integrated slope
- type of odour seal: mechanical
- Dryphon enables waterless siphon system
- minimal installation height: 67 mm (flat uBox), 102 mm (standard uBox)
- grate material: Stainless Steel 304 (1.4301)
- suitable for primary drainage

Technology

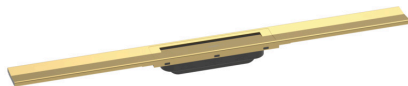


Design awards

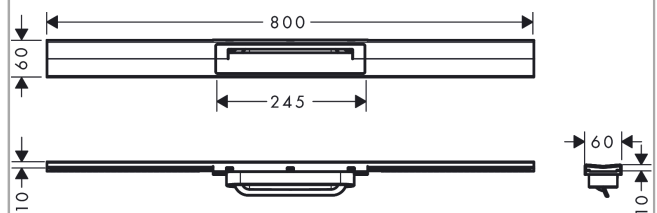


reddot winner 2022

Product image



Scale drawing

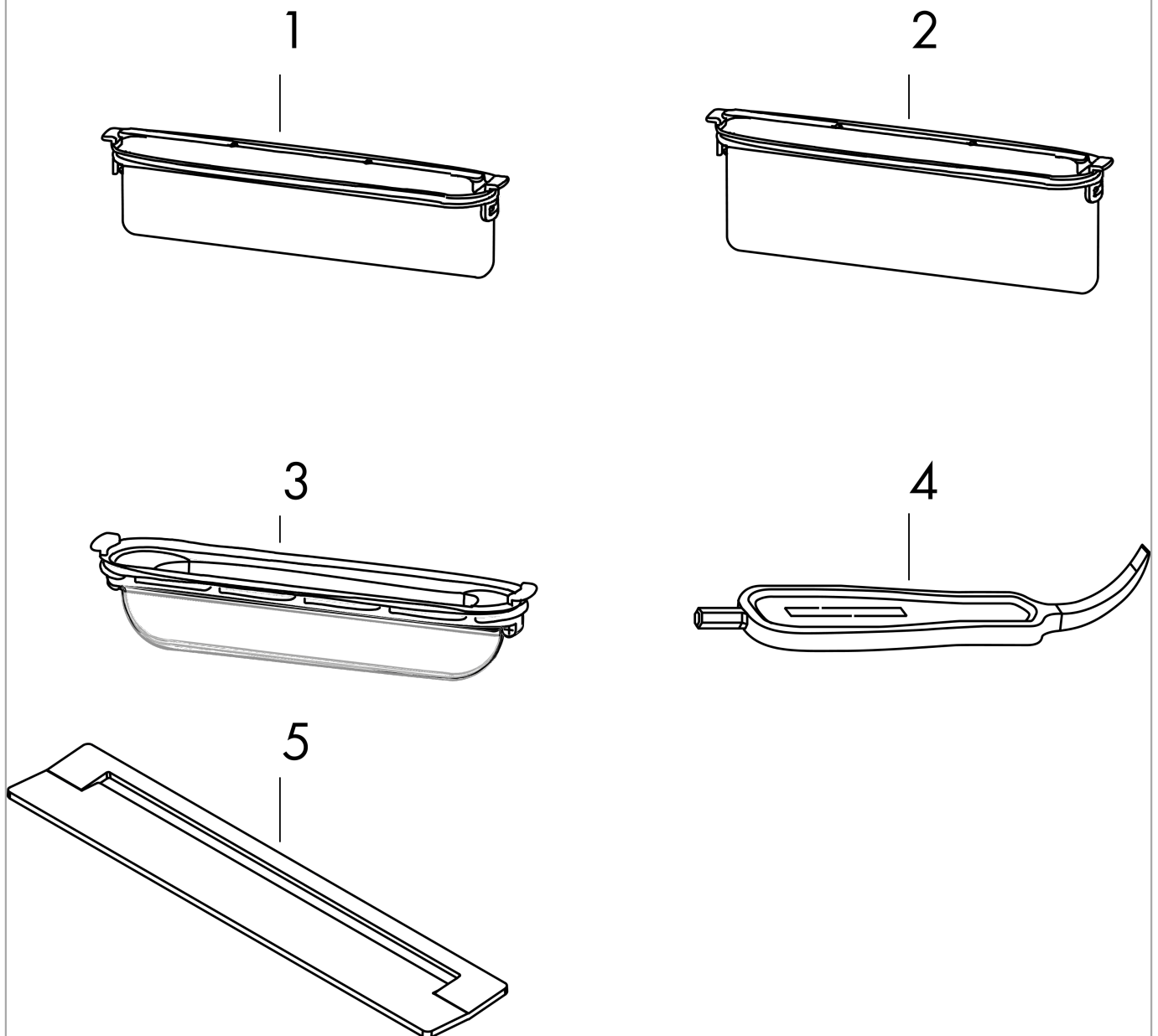


RainDrain Flex
Finish set shower drain 800 cuttable
Finish: **Polished Gold Optic** Article Number: **56044990**



Exploded Drawing

Year of production: >04/22



RainDrain Flex
Finish set shower drain 800 cuttable
 Finish: **Polished Gold Optic** Article Number: **56044990**



Spare part list

Year of production: >04/22

Pos.	Description	Article Number	PC	PU
1	trap cpl.	94322000	13	1
2	trap cpl.	94323000	13	1
3	Dryphon	94326000	14	1
4	service tool	94327000	7	1
5	cover	94551990	15	1
a	concealed item	01000180	98	1
b	concealed item	01001180	98	1