

**Finoris**  
**Single lever bath mixer for exposed installation**  
 Finish: **Matt Black** Article Number: **76420670**



### Description

**product features**

- 2 functions
- projection: 194 mm
- centre distance: 150 ± 12 mm
- spray type mixer: normal spray
- maximum flow rate at 3 bar: 19 l/min
- flow rate for bath spout at 3 bar: 19 l/min
- flow rate of hand shower at 3 bar: 14,7 l/min
- ceramic cartridge
- pressure diverter Select with automatic resetting
- protected against backflow, according to DIN EN 1717
- with silencer
- suitable for continuous flow water heaters
- connection dimension: DN15
- connection type: S-connections
- wall-mounted
- min. operating pressure: 1 bar
- max. operating pressure: 10 bar

### Technology



### Design awards



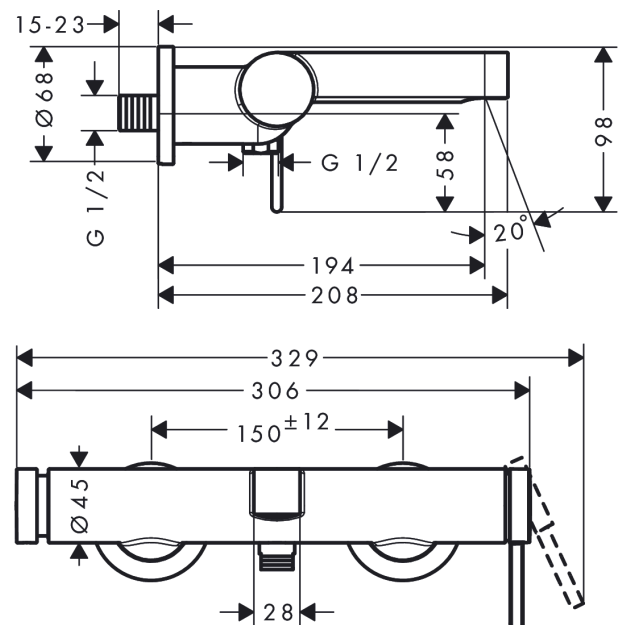
reddot winner 2021



### Product image



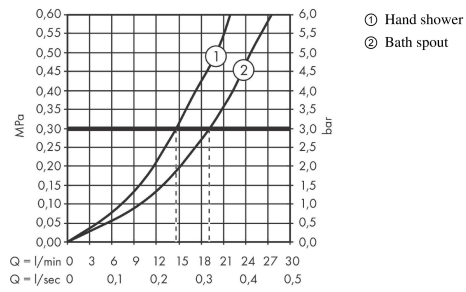
### Scale drawing



**Finoris**  
**Single lever bath mixer for exposed installation**  
 Finish: **Matt Black** Article Number: **76420670**



**Flowchart**

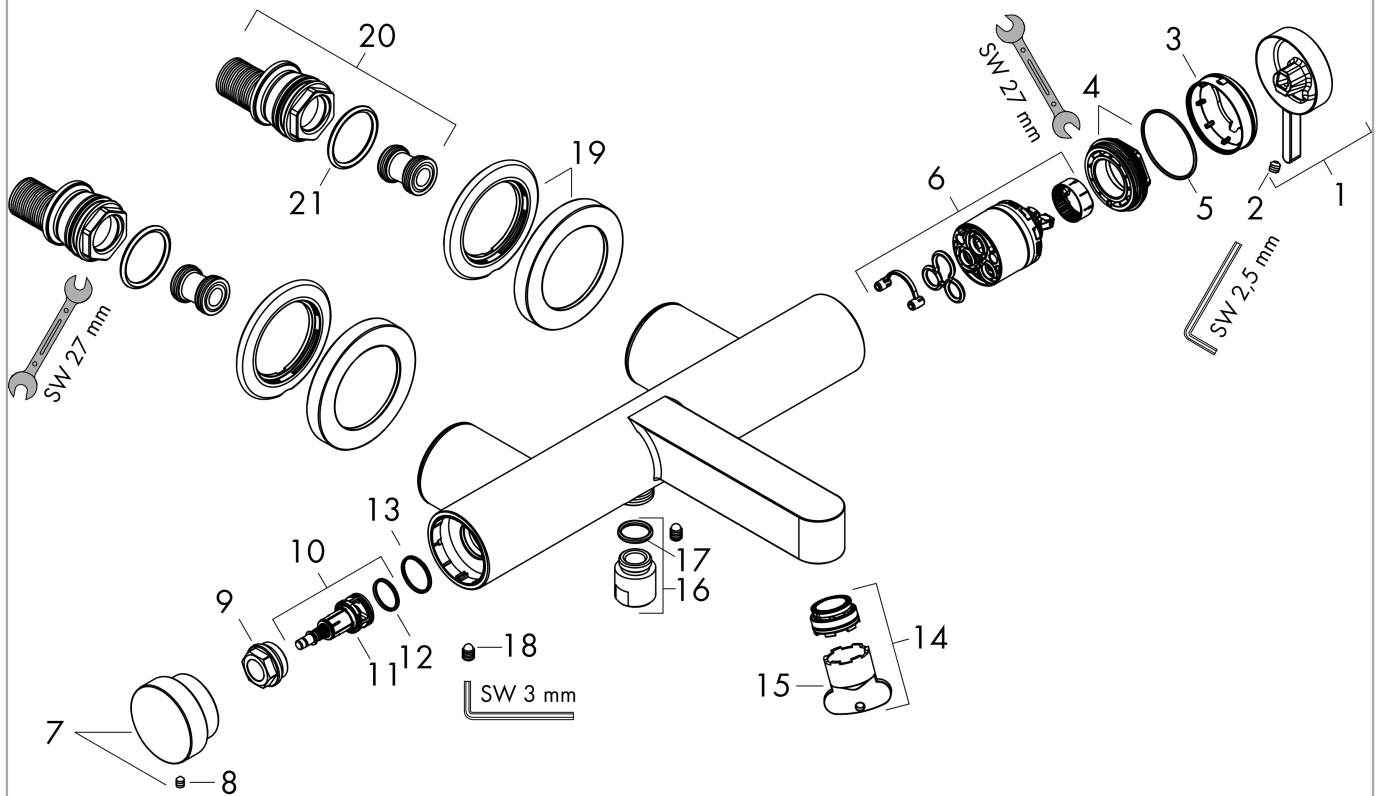


**Finoris**  
**Single lever bath mixer for exposed installation**  
 Finish: **Matt Black** Article Number: **76420670**



**Exploded Drawing**

Year of production: >06/21



**Finoris**  
**Single lever bath mixer for exposed installation**  
 Finish: **Matt Black** Article Number: **76420670**



## Spare part list

Year of production: >06/21

Pos.	Description	Article Number	PC	PU
1	handle	94371670	60	1
2	hollow set screw M5x5	98446000	1	1
3	flange	94370670	59	1
4	nut	93995000	7	1
5	O-ring 35x1,5	92114000	2	1
6	cartridge, assy	93895000	12	1
7	pushbutton	94369670	59	1
8	hollow set screw M4x6	97767000	1	1
9	nut	94367000	9	1
10	selector assy	94368000	9	1
11	O-ring 12x1,5	98430000	1	1
12	O-ring 15x1,5	92118000	1	1
13	O-ring 17x1,5	98137000	1	1
14	aerator M24x1 (30 l/min)	98998000	8	1
15	special tool	95290000	3	1
16	connecting thread	95392000	6	1
17	O-ring 14x2	98129000	1	1
18	screw	94366000	3	1
19	escutcheon Ø 70 mm	94365670	60	1
20	set of S-unions	95772000	13	1
21	O-ring 29x3	98371000	2	1