

Finoris

Single lever basin mixer 110 with pop-up waste set

Finish: **Matt Black** Article Number: **76020670**



Description

product features

- consists of: single lever basin mixer, waste set
- ComfortZone: 110
- projection: 139 mm
- spout height: 113 mm
- handle variant: lever handle
- spray type: laminar spray
- maximum flow rate at 3 bar: 5 l/min
- ceramic cartridge
- temperature limitation adjustable
- suitable for continuous flow water heaters
- pop-up waste set G 1¼
- material waste set: metal
- connection type: G ¾ hose connections
- connection dimension: DN15
- EU taxonomy: max. 6 l/min - Substantial Contribution (SC) possible

Technology



Design awards



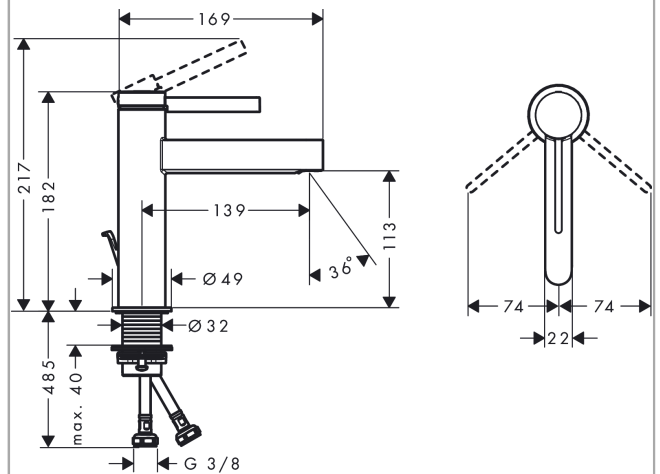
reddot winner 2021



Product image



Scale drawing



Finoris
Single lever basin mixer 110 with pop-up waste set
 Finish: **Matt Black** Article Number: **76020670**



Flowchart

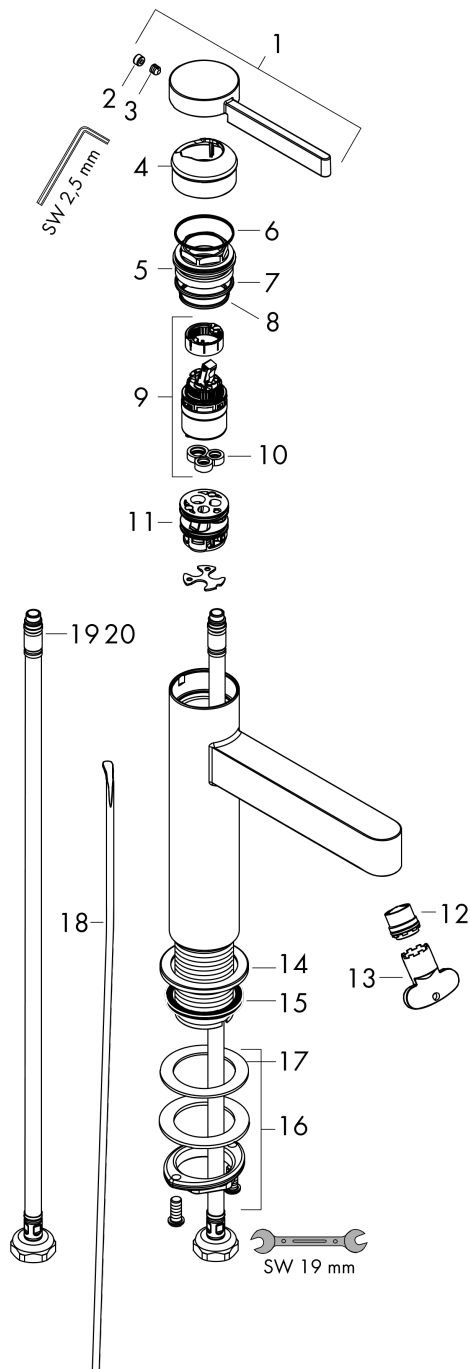


Finoris
Single lever basin mixer 110 with pop-up waste set
 Finish: **Matt Black** Article Number: **76020670**



Exploded Drawing

Year of production: >06/21



Finoris

Single lever basin mixer 110 with pop-up waste set

Finish: **Matt Black** Article Number: **76020670**



Spare part list

Year of production: >06/21

Pos.	Description	Article Number	PC	PU
1	handle	94266670	61	1
2	screw cover	93735460	3	1
3	hollow set screw M5x5	98446000	1	1
4	flange	93737670	59	1
5	nut	92926000	5	1
6	O-ring 30x1,5	98433000	1	1
7	O-ring 29x2	98391000	1	1
8	O-ring 25x1,5	98146000	1	1
9	cartridge, assy	93760000	13	1
10	seal	93383000	4	1
11	adapter for cartridge	98866000	8	1
12	spray former	93973000	6	1
13	special tool	98987000	3	1
14	escutcheon	94265670	56	1
15	flat seal	98749000	2	1
16	fixing set (Ø 32)	13961000	7	1
17	lever collar	97548000	1	1
18	pull rod	96657670	54	1
19	connection hose 600 mm M8x0,75 G3/8	96556000	7	1
20	O-ring 6,6x1,6	93019000	1	1
a	pop up waste	94139670	64	1
b	fixation extension 35 mm	13898000	12	1