

ShowerTablet Select

Bath thermostat 400 for exposed installation

Finish: **Matt Black** Article Number: **24340670**

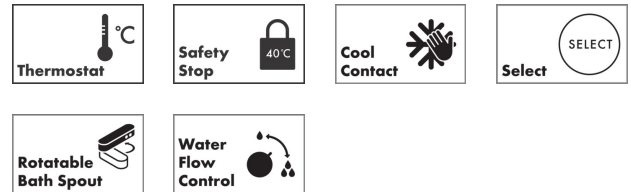


Description

product features

- rotatable bath spout
- 2 functions
- simultaneous utilization of 2 functions
- temperature and water flow control
- Select push-button on/off control for 2 outlets
- water flow control with stop function
- CoolContact thermostat: Prevents the housing from heating up, making showering even safer
- maximum flow rate at 3 bar: 20,9 l/min
- flow rate for bath spout at 3 bar: 20,9 l/min
- flow rate of hand shower at 3 bar: 15,8 l/min
- min. operating pressure: 1 bar
- max. operating pressure: 10 bar
- Safety stop at 40 °C
- temperature limitation adjustable
- with isolated water conduction
- non-return valve
- protected against backflow, according to DIN EN 1717
- with silencer
- suitable for continuous flow water heaters
- material handles: plastic
- shelf made of plastic
- surface shelf: graphite
- connection dimension: DN15
- connection type: G ½
- centre distance: 150 ± 12 mm
- dirt filter included
- thermostat is delivered with buttons hand shower and bath tub

Technology



Design awards



reddot winner 2021



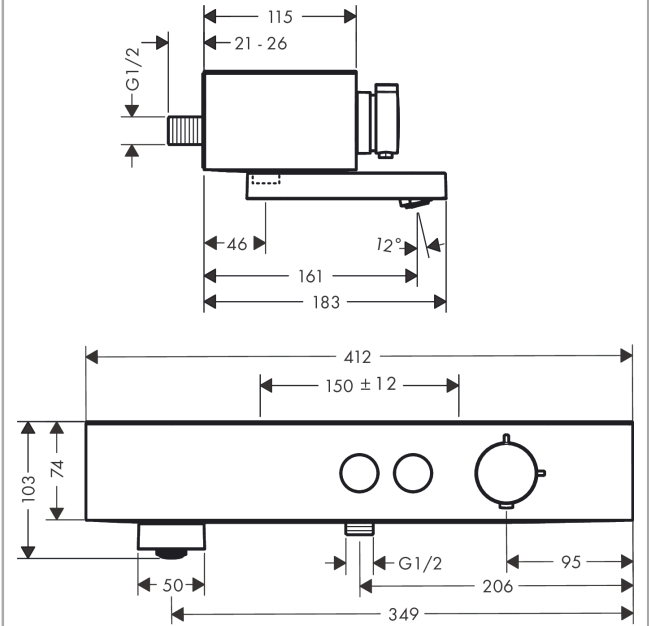
ShowerTablet Select
Bath thermostat 400 for exposed installation
 Finish: **Matt Black** Article Number: **24340670**



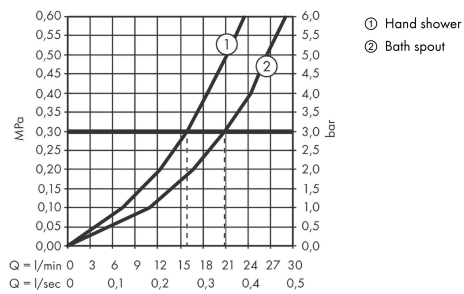
Product image



Scale drawing



Flowchart

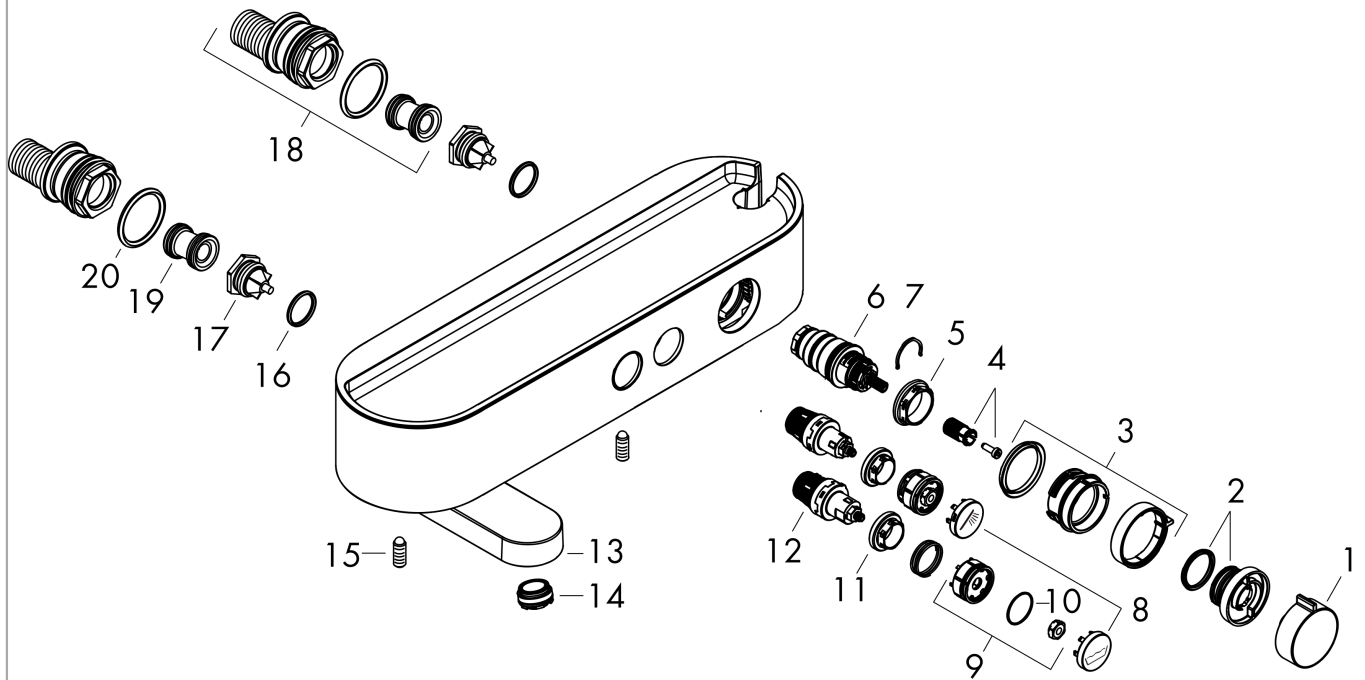


ShowerTablet Select
Bath thermostat 400 for exposed installation
 Finish: **Matt Black** Article Number: **24340670**



Exploded Drawing

Year of production: >04/22



ShowerTablet Select
Bath thermostat 400 for exposed installation
 Finish: **Matt Black** Article Number: **24340670**



Spare part list

Year of production: >04/22

Pos.	Description	Article Number	PC	PU
1	handle	94403670	59	1
2	safety set	94404000	9	1
3	handle	94405670	57	1
4	handle fixing set	92136000	6	1
5	nut	98913000	6	1
6	thermostat cartridge	98282000	14	1
7	cartridge for exchanged connections	92373000	18	1
8	set of symbols	98367670	60	1
9	spring with sleeve	92340000	4	1
10	O-ring 20x1	98140000	1	1
11	nut	98368000	4	1
12	shut off unit	95758000	14	1
13	spout cpl.	87775670	61	1
14	aerator M24x1 C	92934000	6	1
15	hollow set screw M6x16 including o-ring 29x3	98372000	3	1
16	O-ring 17x2	98199000	1	1
17	non return valve (pressure-resistant up to 2 MPa)	95773000	8	1
18	set of S-unions	95772000	13	1
19	noise reduction	96429000	2	1
20	O-ring 29x3	98371000	2	1
a	adapter for ball S - union	02026000	98	1