

Raindance Select S
Overhead shower 240 2jet with shower arm
 Finish: **Chrome** Article Number: **26466000**



Description

product features

- consists of: overhead shower, shower arm
- shower head size: 243 mm
- spray type: RainAir, Rain
- flow rate Rain spray at 3 bar: 17 l/min
- flow rate RainAir spray at 3 bar: 16 l/min
- function from: 9 l/min
- maximum flow rate at 3 bar: 17 l/min
- minimum flow pressure: 1 bar
- Select button on overhead shower
- ball-joint: overhead shower angle adjustable
- material spray disc: metal
- spray disc surface: chrome
- shower arm length: 390 mm
- spray disc removable for cleaning
- installation: wall
- connection thread: G 1/2
- connection dimension: DN15
- suitable for continuous flow water heaters

Technology



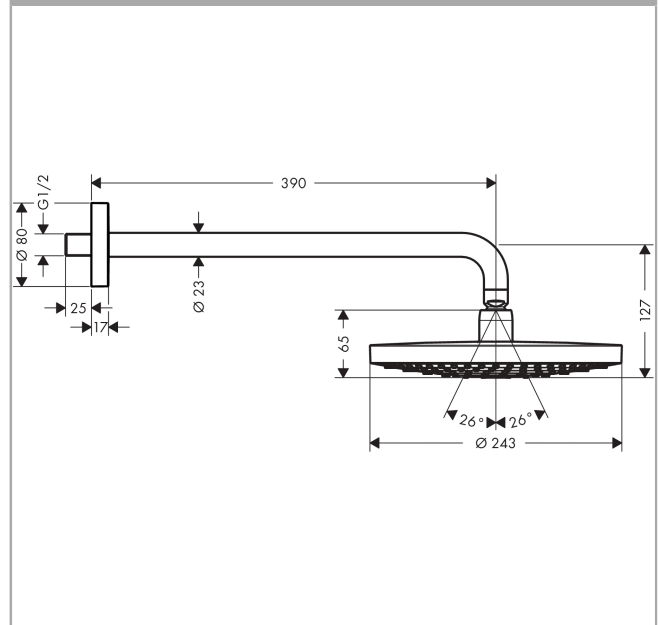
Certificates / Sustainability



Product image



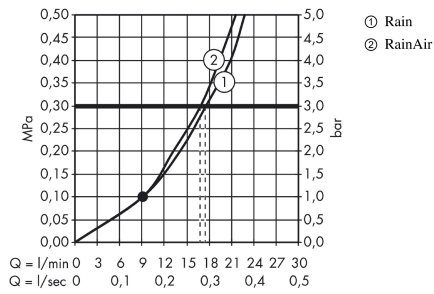
Scale drawing



Raindance Select S
Overhead shower 240 2jet with shower arm
 Finish: **Chrome** Article Number: **26466000**



Flowchart

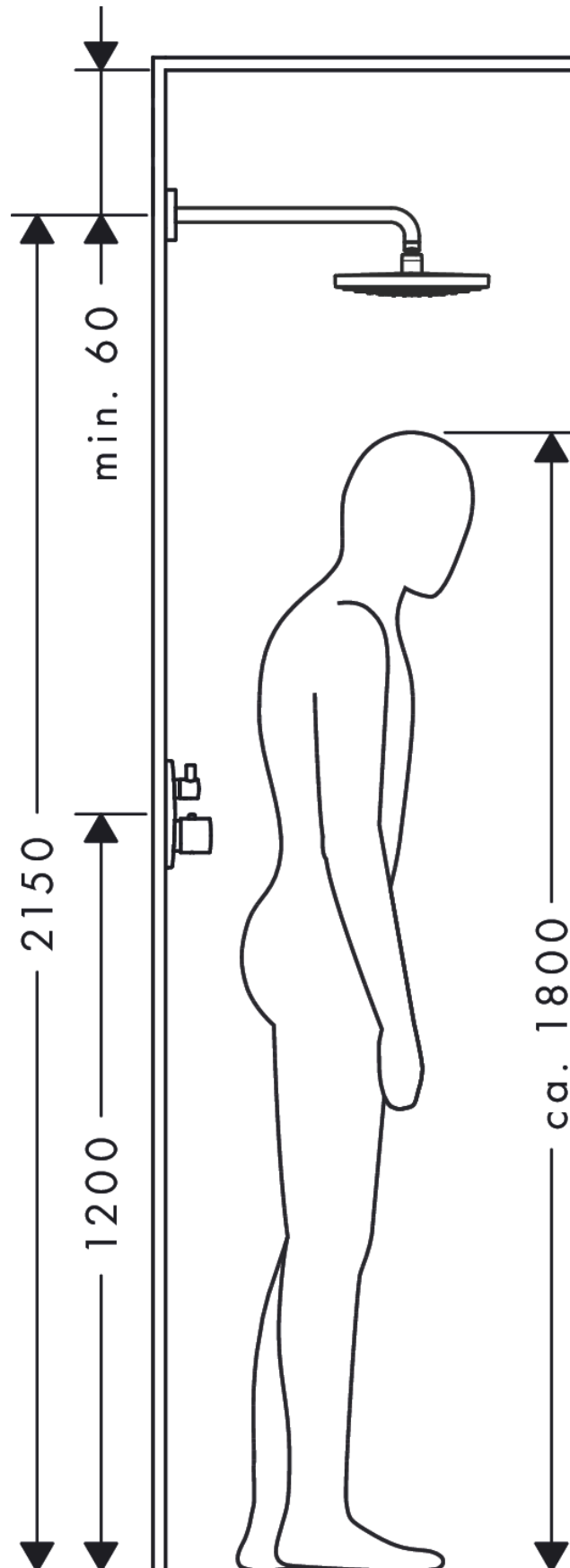


The consumption was measured in combination with the appropriate fittings (thermostat/mixer/in-wall valve) to reflect actual application in practice.

Raindance Select S
Overhead shower 240 2jet with shower arm
 Finish: **Chrome** Article Number: **26466000**



Installation examples

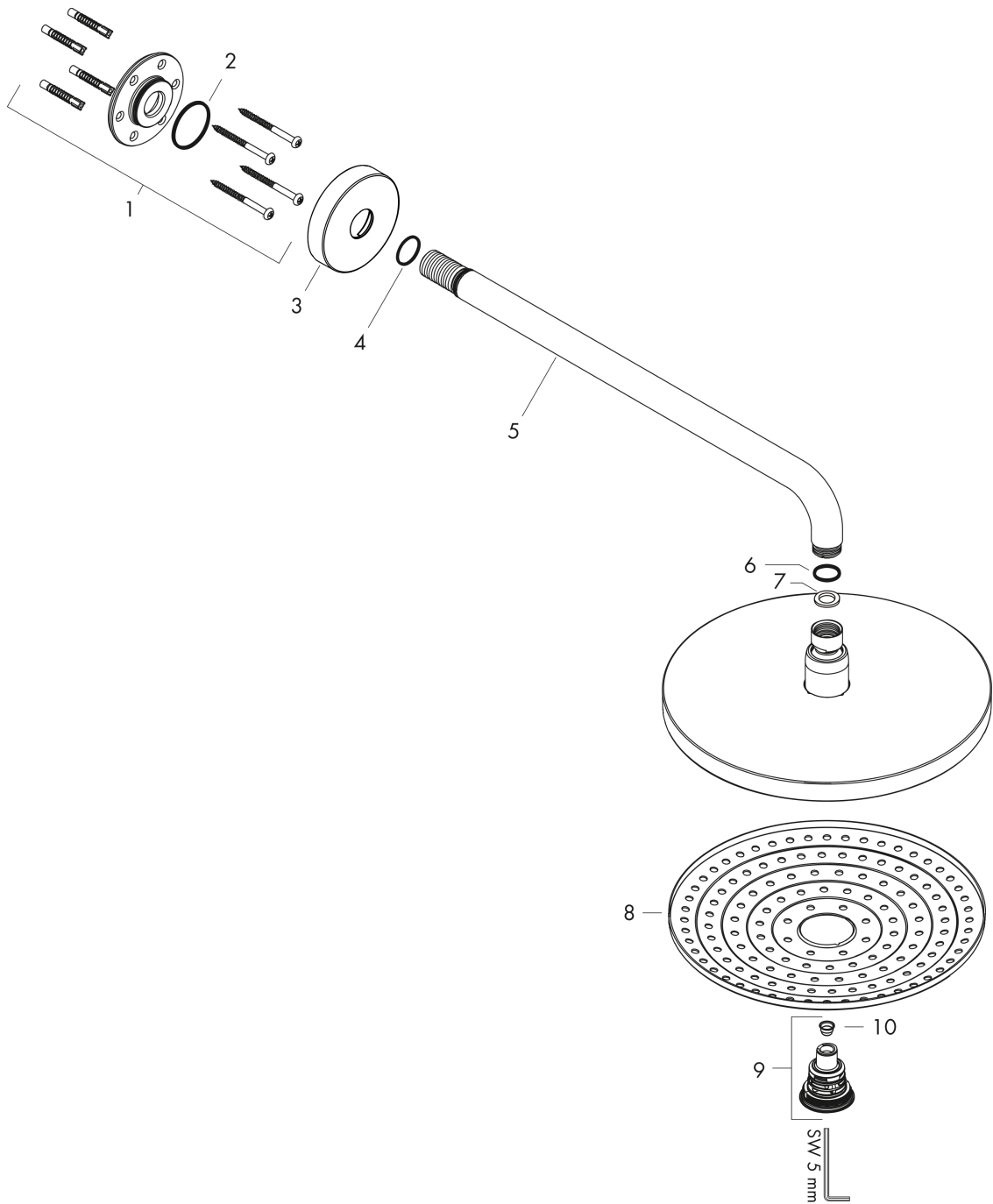


Raindance Select S
Overhead shower 240 2jet with shower arm
 Finish: **Chrome** Article Number: **26466000**



Exploded Drawing

Year of production: >02/18



Raindance Select S
Overhead shower 240 2jet with shower arm
 Finish: **Chrome** Article Number: **26466000**



Spare part list

Year of production: >02/18

Pos.	Description	Article Number	PC	PU
1	mounting kit	95208000	11	1
2	O-ring 34x2	98383000	2	1
3	escutcheon Ø 80 mm	98940000	7	1
4	O-ring 20x1,5	98197000	1	1
5	shower arm	27446000	98	1
6	O-ring 16x2	98133000	1	1
7	seal	98058000	1	1
8	spray body	92291000	16	1
9	selector assy	98343000	12	1
10	filter	97735000	1	1
a	shower arm 240 mm	27409000	98	1