

Raindance

Overhead shower 260/260 1jet

Finish: **Chrome** Article Number: **26472000**



Description

product features

- shower head size: 260 x 260 mm
- spray type: RainAir
- flow rate RainAir spray at 3 bar: 15 l/min
- maximum flow rate at 3 bar: 15 l/min
- minimum flow pressure: 1,7 bar
- material spray disc: metal
- spray disc removable for cleaning
- installation: flush with the ceiling
- connection thread: G 1/2
- connection dimension: DN15
- suitable for continuous flow water heaters

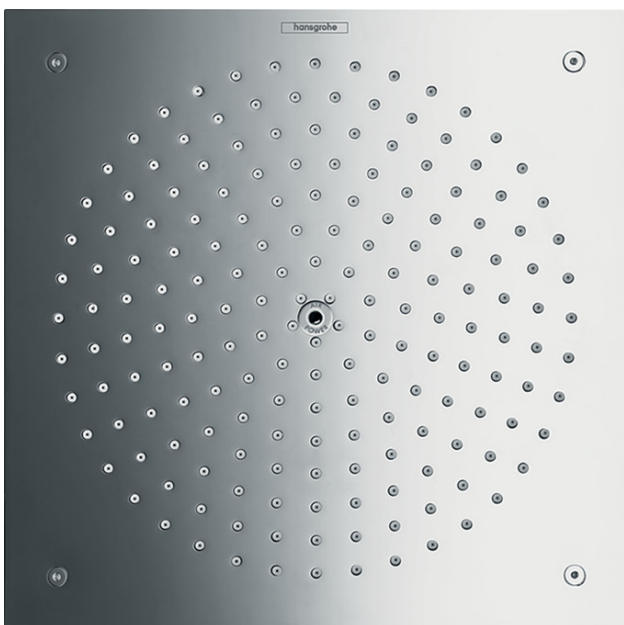
Technology



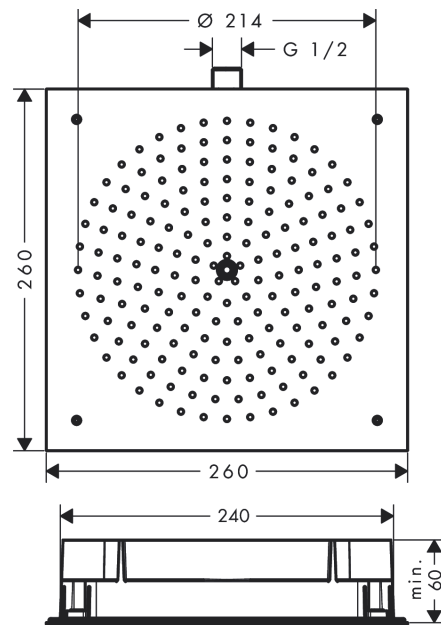
Certificates / Sustainability



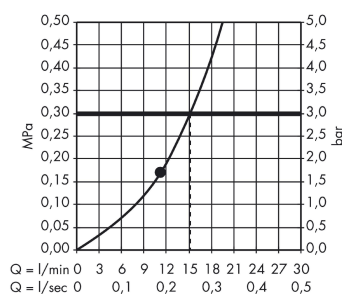
Product image



Scale drawing



Flowchart



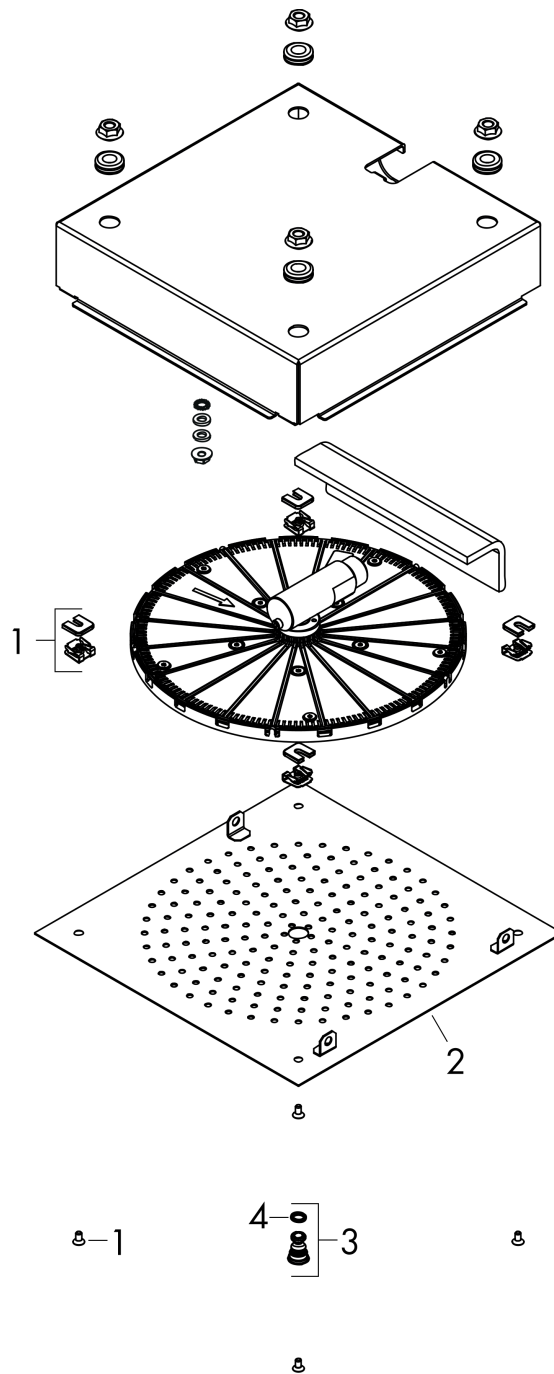
The consumption was measured in combination with the appropriate fittings (thermostat/mixer/ in-wall valve) to reflect actual application in practice.

Raindance
Overhead shower 260/260 1jet
 Finish: **Chrome** Article Number: **26472000**



Exploded Drawing

Year of production: >10/20



Raindance

Overhead shower 260/260 1jet

Finish: **Chrome** Article Number: **26472000**



Spare part list

Year of production: >10/20

Pos.	Description	Article Number	PC	PU
1	mounting set	92804000	8	1
2	spray body	92333000	20	1
3	air jet	95794000	8	1
4	O-ring 7x2	98419000	1	1
a	concealed item	26471180	98	1